



INDOOR AIR QUALITY

Preferred[™]
SERIES

MODEL EACB
ELECTRONIC AIR FILTRATION
SYSTEM



Keep Your Entire Home Cleaner And Healthier.

Bryant's Model EACB Helps

Bryant's leadership in the indoor comfort industry can be traced back to 1904. Starting with a simple gas valve, this company has thrived by providing top-quality heating and cooling products installed and serviced by a nationwide network of trusted and reliable Bryant dealers.

Home Improvement.

Bryant's commitment to your comfort extends beyond simple heating and cooling to include improving the quality of the air you breathe. One way we do that is with the Model EACB electronic air filtration system. The Model EACB not only cleans the air in your home, it helps protect your home furnishings and helps maintain the efficiency of your home comfort system.



WARRANTY

You can count on cleaner indoor air with Bryant's EACB electronic air filtration system because Bryant backs it in writing. Bryant offers a 5-year limited warranty on the entire unit. Extended warranties are also available. Ask your Bryant dealer for details.



Heating & Cooling Systems
Since 1904

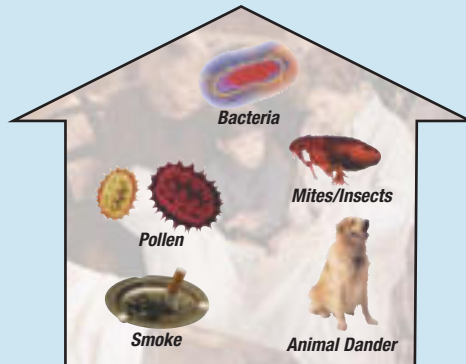
Relief From Indoor Air Pollution.

Cleaning the air inside your home is more important now than it ever has been. Beginning with the energy crisis of the 1970s, new construction homes have become better insulated to prevent the escape of heated or cooled air. These air-tight, energy-efficient homes also seal in dust, dirt, pollen, mold, skin flakes, bacteria and other airborne pollutants. These pollutants settle on your furnishings, your woodwork, and even in your lungs.

Bryant's Model EACB electronic air filtration system helps reduce the effects of airborne pollutants by trapping particles as small as .01

	STANDARD FURNACE FILTER	MECHANICAL FILTER	ELECTRONIC AIR CLEANER
Air Cleaners			
Living Airborne Organisms		BACTERIA	
	POLLEN		VIRUSES
	PLANT SPORES		
Smoke		COOKING SMOKE & GREASE	
		TOBACCO SMOKE	
Minerals		ATMOSPHERIC & HOUSEHOLD DUST	
		ANIMAL DANDER	
	LINT		
Particle Size in Microns	100	10 Visible w/Naked Eye	5 2 1 0.5 0.1 0.01 0.001
Particle Number		0.1%	19.9% 80%
Particle Weight		70%	29% 1%
Most Staining Effect			
Most Likely Retained in Lungs			

microns. It's much more effective than a furnace filter and even easier to maintain. Simply remove the unit's cells, wash with a mild soap solution, rinse, dry, and replace back into the unit.



Bryant's Model EACB electronic air filtration system cleans your home's air of the small size pollutants and contaminants that irritate your eyes, lungs and sinuses.

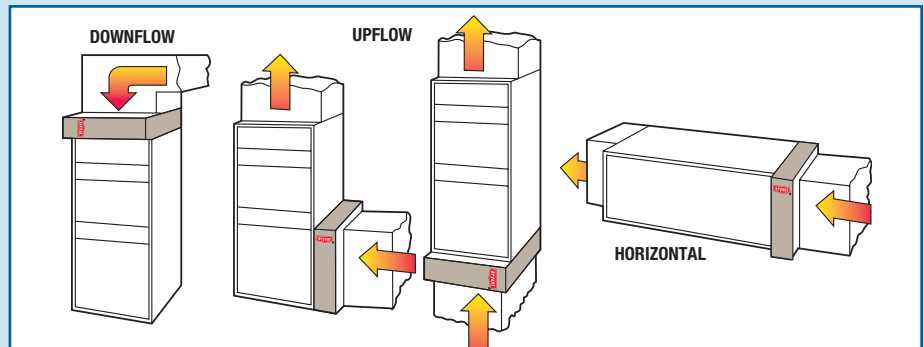
How small is a micron.

Pencil Dot
200 Microns



Human Hair
100 Microns

Eye Of Needle
300 Microns



Your Bryant dealer can install the Model EACB to fit your home comfort system design.

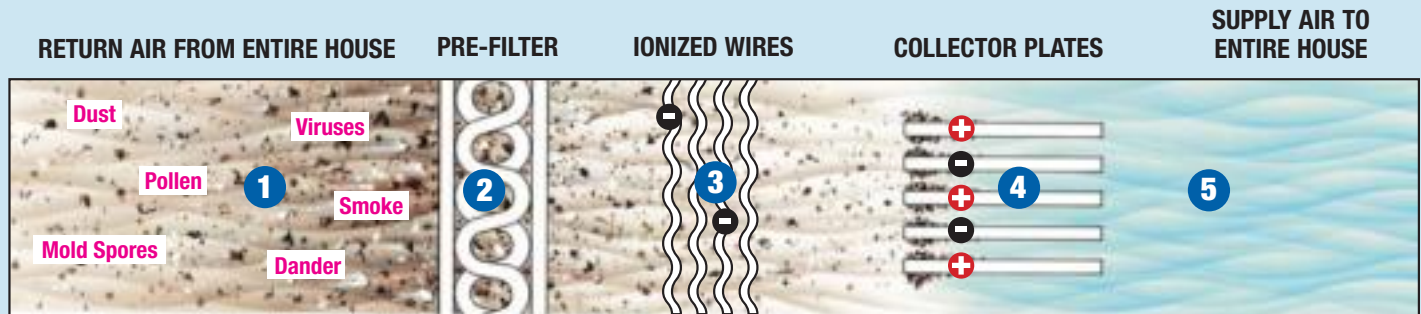
s Keep Your Home Cleaner.

Efficiency And Reliability.

The Model EACB electronic air filtration system can help your entire system operate more efficiently by reducing dirt and dust build-up on the system's components. This means lower utility bills. By keeping your system clean, this air cleaner promotes the long-term reliability and peak performance of every component in your heating & cooling system season after season.

Peace Of Mind.

The Model EACB is designed to complement your Bryant home comfort system. That means it is sized and built for quick and easy installation. And, because it's from Bryant, the Model EACB offers simple, worry-free comfort from someone you trust.



The EACB Electronic Air Filtration System is Bryant's most efficient, removing up to as much as 68% of the dust and pollutants from your indoor air.

- 1** The air in your home prior to filtration is loaded with contaminants.
- 2** Larger particles are removed by the aluminum mesh pre-filter.
- 3** The smaller particles pass through the pre-filter to the ionizing section where they receive an electrical charge.
- 4** These "charged" particles are then attracted like magnets to rows of grounded plates. (They remain on the plates until they are washed away during cleaning.)
- 5** The cleaned air is channeled to your indoor coil or furnace where it is cooled or heated and then vented into your home.



The EACB proudly carries the Good Housekeeping Seal of Approval



Model Number	EACBAXBB0014	EACBAXBB0020
Size L" x H" x W"	25 x 20 ¹ / ₂ x 7 ¹ / ₄	25 x 24 ¹ / ₂ x 7 ¹ / ₄
Maximum Capacity (CFM)	1400	2000
Initial Dust Spot Efficiency at Rated CFM	68%	65%
Static Pressure Drop at Rated CFM	.11	.14

Americans Have Relied On Bryant Since 1904.

Bryant has been America's leading choice for indoor comfort since 1904. Our EACB electronic air cleaner is just one example of how Bryant delivers indoor comfort that you can trust.

Ask your local Bryant dealer about our complete line of air conditioners, furnaces, heat pumps, fan coils, humidifiers, ventilators, thermostats and zoning systems. He can help you build a total indoor comfort system that will meet the exact needs of your family.

Being comfortable is easy when you choose Bryant. With your local Bryant dealer at your service, you can build and maintain a system that provides lasting comfort year after year. Ask your Bryant dealer about simple, worry-free comfort you can trust.



Bryant thermostats have a clean filter indicator that is based on operating time to remind you to clean your air cleaner.



Central Air Conditioner and Gas Furnace System



A Member of the United Technologies Corporation Family.
Stock Symbol UTX.

18EA-CA2
© Bryant Heating & Cooling Systems 2004
7310 West Morris Street, Indianapolis, IN 46231
Visit our website at www.bryant.com



Before purchasing this appliance, please read the important energy cost and efficiency information available from your dealer.

Manufacturer reserves the right to discontinue, or change, at any time, specifications or designs without notice and without incurring obligations.



Printed on recycled paper.